



Series 500

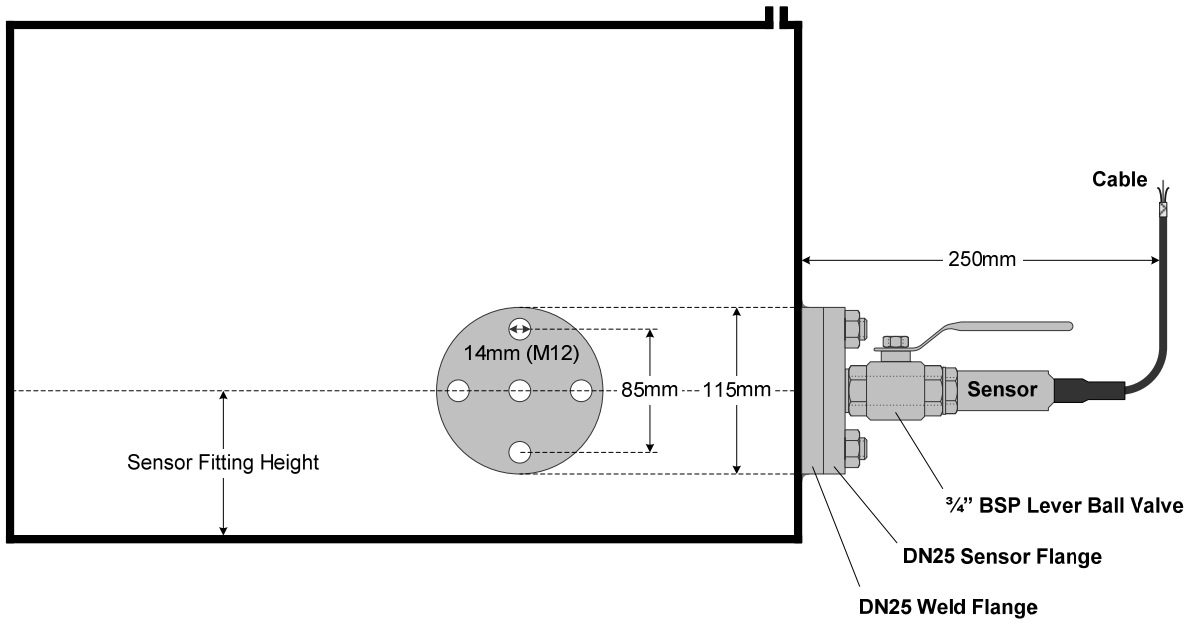
Liquid Level Transmitters

Schematics

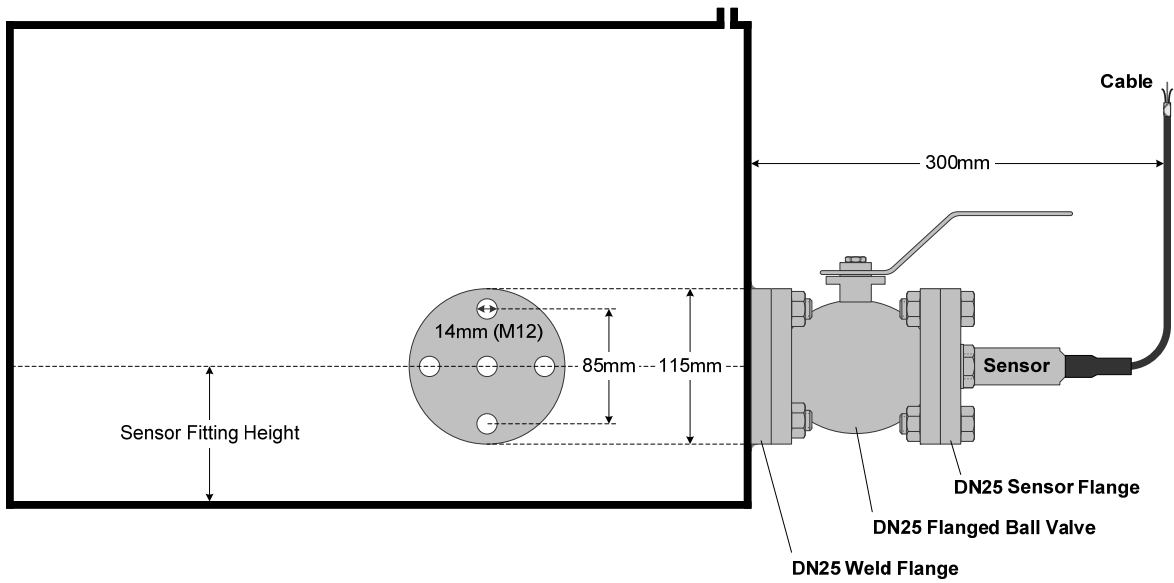
Contents

Section	Content	Page
1	Model 510 - External flange mount	3
2	Model 520 - Internal (submersible) tank bottom/wall connection	4
3	Model 530 - Internal (submersible) pole mount	5
4	Model 540 - External ¾" BSP connection	6
5	Model 550 - Internal (submersible) guide pipe	7

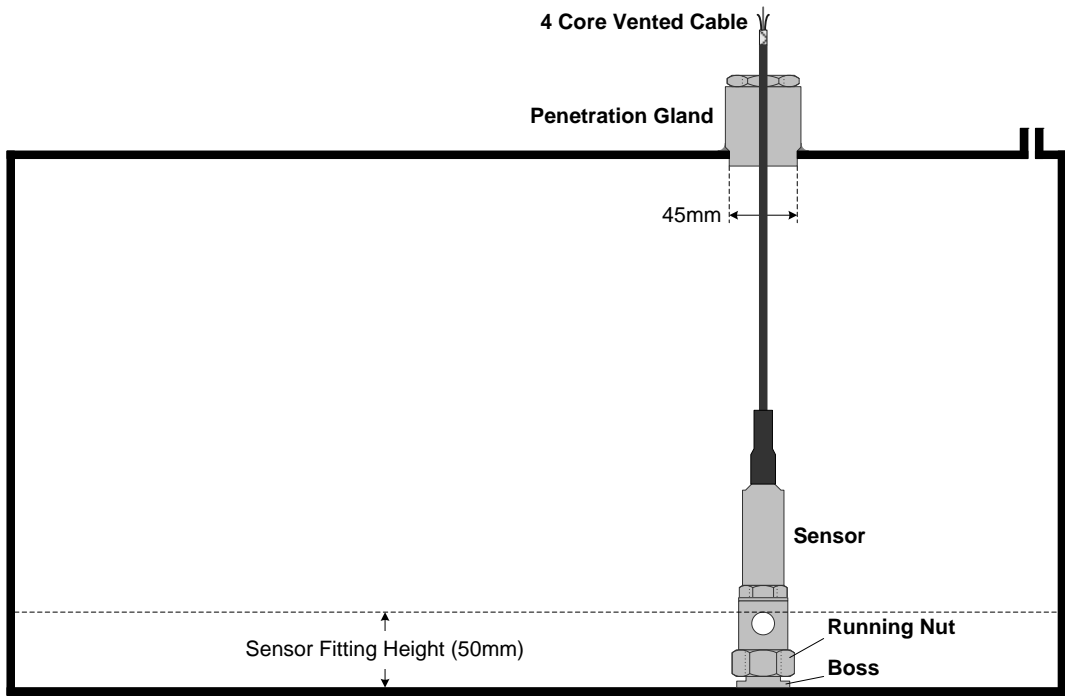
Model 510 (with 3/4" BSP Ball Valve)



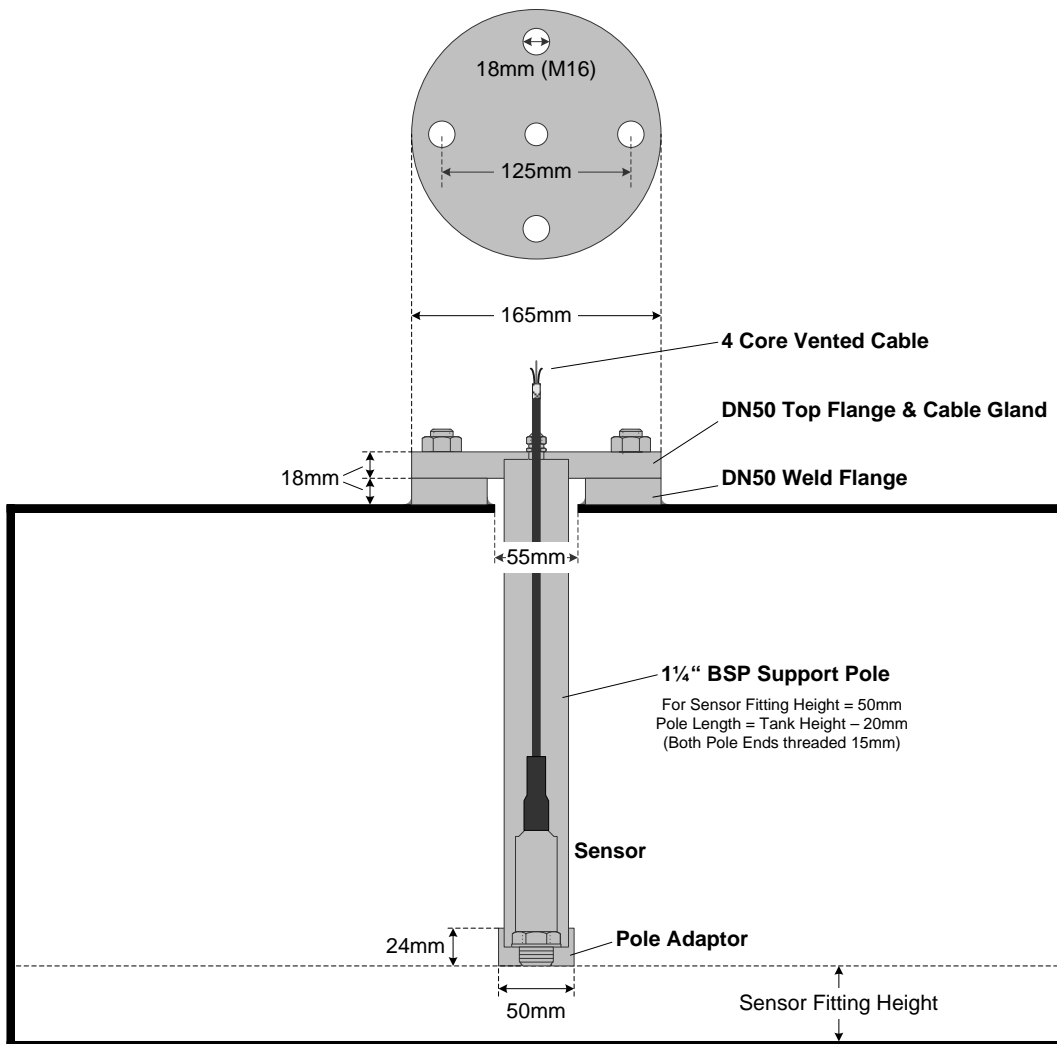
Model 510 (with DN25 Flanged Ball Valve)



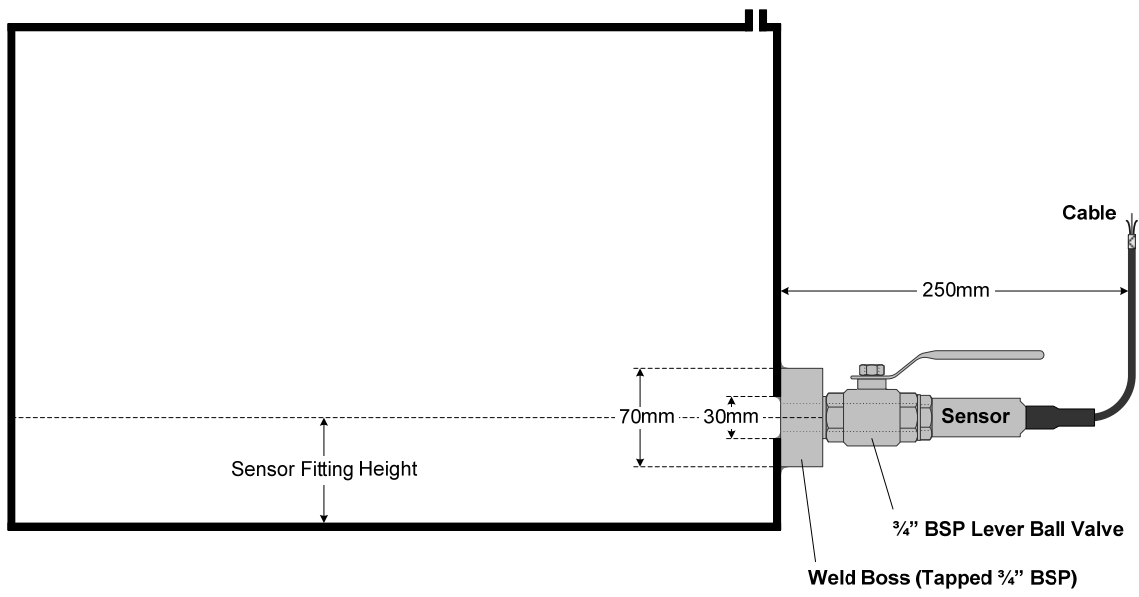
Model 520



Model 530



Model 540 (with 3/4" BSP Ball Valve)



Model 550

